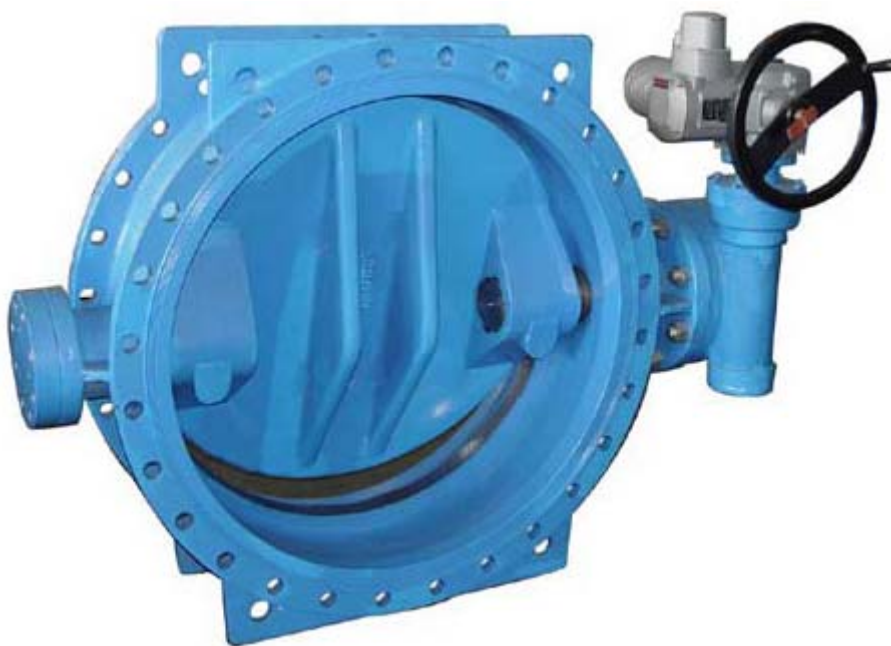


DOUBLE ECCENTRIC BUTTERFLY VALVE



Features

- Double eccentric design
- The resilient seal encapsulated in the disc is fully adjustable and replaceable
- One piece seal retaining ring
- Standard SS304 for body seat ring and seal retaining ring; other materials are optional
- Available in metal-to-metal seating
- Horizontal shaft as standard, vertical shaft mounting optional
- Suitable for throttling service
- Low head loss
- Face-to-face dimension available to different standards
- Flanges according to international standards
- Standard supplied including worm gear operator; other means of operation on request

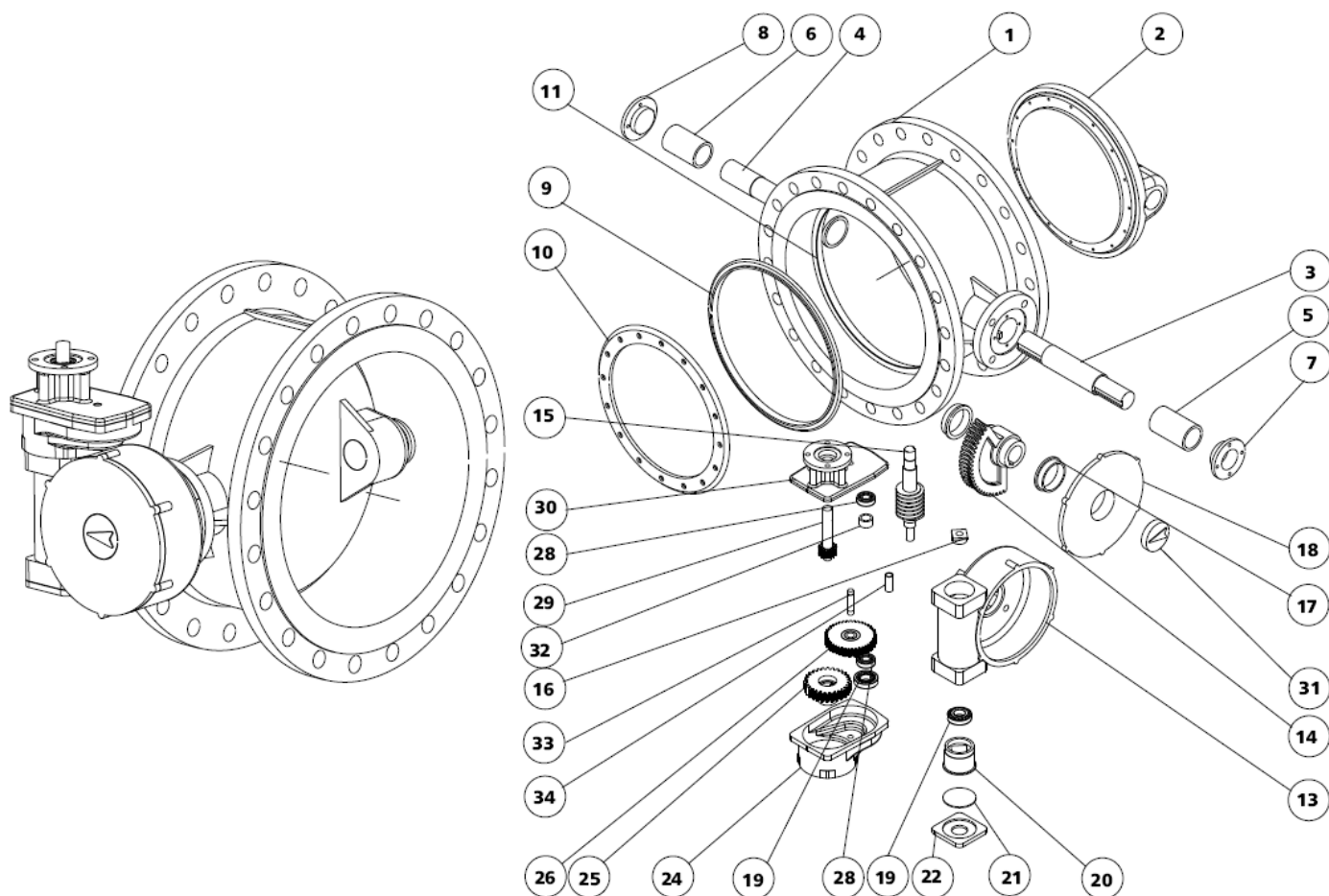
Standard

Design and Manufacture	API 609/AWWA C504				
Flange Dimension	ASME B16.5	ASME B16.47	ASME B16.10	AWWA C207	
Face to Face Dimension	API 609 AWWA C504				
Test and Inspection	API598 AWWA C504				

Pressure and Temperature

Nominal Diameter DN (mm)	100~3000	100-2400	100-1600	100-1200	150LB
Nominal Pressure PN (mm)	0.6	1.0	1.6	2.5	2.0
Hydraulic Shell Test Pressure (MPa)	0.9	1.5	2.4	3.75	3.0
Hydraulic Seat Test Pressure (MPa)	0.66	1.1	1.76	2.75	2.2
Temperature	-29°C~80°C				
Suitable Media	Water, Oil				

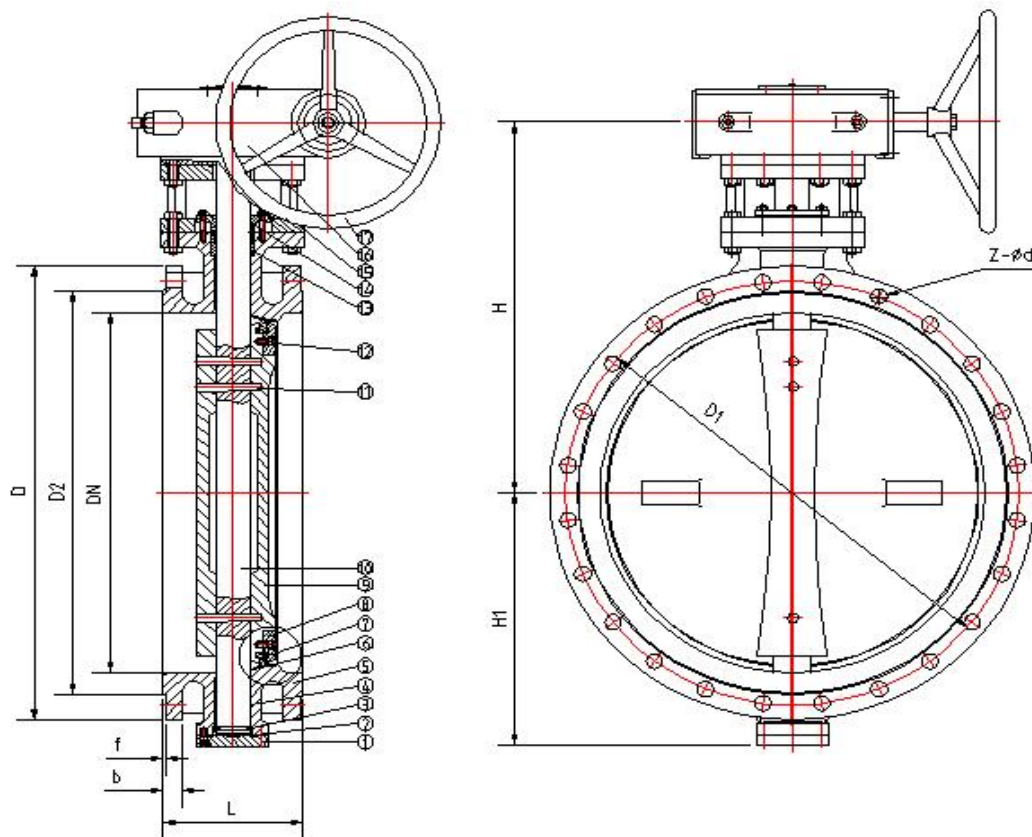
Material Specification



No.	Parts Name	Material
1	Body	Ductile iron / Cast steel / Cast iron / S.S.
2	Disc	Ductile iron / Cast steel / Cast iron / S.S.
3	Shaft -drive-	Stainless steel
4	Shaft -hinge-	Stainless steel
5	Bearing 1	Bronze / PTFE / Stainless steel
6	Bearing 2	Bronze / PTFE / Stainless steel
7	Shaft cover	Carbon Steel / Stainless steel
8	Bonnet	Carbon Steel / Stainless steel
9	Ring	Rubber
10	Retainer	Stainless steel
11	Body seat	Stainless steel / Bronze
12	Key	Stainless steel
13	Gear box body	Cast iron
14	Worm gear	Ductile iron
15	Helical gear	Steel
16	Limiting nut	Ductile iron
17	Gear box bearing	Bronze

No.	Parts Name	Material
18	Front cover	Cast iron
19	Bearing on Helical gear	Steel
20	Bottom cover	Ductile iron
21	Bottom cover cap	Ductile iron
22	Bottom cover retainer	Ductile iron
23	Gear box key	Steel
24	Spur gear box body	Cast iron
25	Spur gear 4	Steel
26	Spur gear 2	Steel
27	Spur gear 3	Steel
28	Bearing on Spur gear 1	Steel
29	Spur gear 1	Steel
30	Spur gear box cover	Cast iron
31	Arrow	Cast iron
32	Distance ring	Bronze
33	Pin	Stainless steel
34	Gear box bearing 2	Bronze

Dimensions (DN<1600)



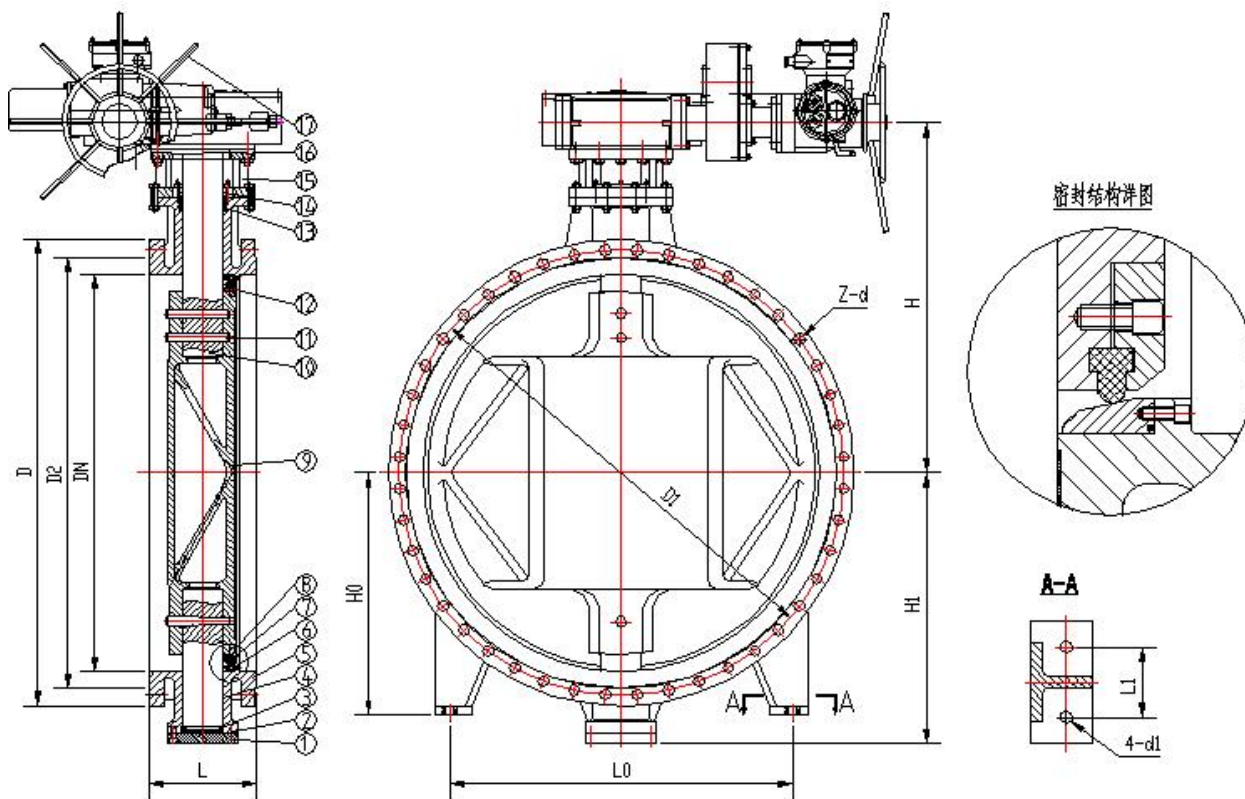
Diameter DN (mm)	L		0.6 MPa				1.0 MPa				H1	H
	Short Body	Long Body	D	D1	D2	Z-d	D	D1	D2	Z-d		
DN100	127	190	210	170	144	4-18	220	180	156	8-18	120	215
DN125	140	200	240	200	174	8-18	250	210	184	8-18	130	230
DN150	140	210	265	225	199	8-18	285	240	211	8-22	142	250
DN200	152	230	320	280	254	8-18	340	295	266	8-22	170	335
DN250	165	250	375	335	309	12-18	395	350	310	12-22	220	405
DN300	178	270	440	395	363	12-22	445	400	370	12-22	260	440
DN350	190	290	490	445	413	12-22	505	460	429	16-22	300	485
DN400	216	310	540	495	463	16-22	565	515	480	16-26	330	510
DN450	222	330	595	550	518	16-22	615	565	530	20-26	355	550
DN500	229	350	645	600	568	20-22	670	620	582	20-26	385	640
DN600	267	390	755	705	667	20-26	780	725	682	20-30	445	700
DN700	292	430	860	810	772	24-26	895	840	794	24-30	510	805
DN800	318	470	975	920	878	24-30	1015	950	901	24-33	570	950
DN900	330	510	1075	1020	978	24-30	1115	1050	1001	28-33	630	1000
DN1000	300	550	1175	1120	1078	28-30	1230	1160	1112	28-36	700	1140
DN1200	350	630	1405	1340	1295	32-33	1455	1380	1328	32-39	830	1350
DN1400	390	710	1630	1560	1510	36-36	1675	1590	1530	36-42	960	1470

Reserve the right, without notice, to alter or improve the designs of the products herein.

Diameter DN (mm)	L		1.6 MPa				2.5 MPa				H1	H
	Short Body	Long Body	D	D1	D2	Z-d	D	D1	D2	Z-d		
DN100	127	190	220	180	156	8-18	235	190	156	8-22	120	215
DN125	140	200	250	210	184	8-18	270	220	184	8-26	130	230
DN150	140	210	285	240	211	8-22	300	250	211	8-26	142	250
DN200	152	230	340	295	266	12-22	360	310	274	12-26	170	335
DN250	165	250	405	355	319	12-26	425	370	330	12-30	220	405
DN300	178	270	460	410	370	12-26	485	430	389	16-30	260	440
DN350	190	290	520	470	429	16-26	555	490	448	16-33	300	485
DN400	216	310	580	525	480	16-30	620	550	503	16-36	330	510
DN450	222	330	640	585	548	20-30	670	600	548	20-36	355	550
DN500	229	350	715	650	609	20-33	730	660	609	20-36	385	640
DN600	267	390	840	770	720	20-36	845	770	720	20-39	445	700
DN700	292	430	910	840	794	24-36	960	875	820	24-42	510	805
DN800	318	470	1025	950	901	24-39	1085	990	928	24-48	570	950
DN900	330	510	1125	1050	1001	28-39	1185	1090	1028	28-48	630	1000
DN1000	300	550	1255	1170	1112	28-42	1320	1210	1140	28-55	700	1140
DN1200	350	630	1485	1390	1328	32-48	1530	1420	1350	32-55	830	1350
DN1400	390	710	1685	1590	1530	36-48	1755	1640	1560	36-60	960	1470

Reserve the right, without notice, to alter or improve the designs of the products herein.

Dimensions (DN ≥ 1500)



Diameter DN (mm)	L		0.6 MPa				1.0 MPa				H1	H	H0	L0	L1	d1
	Short Body	Long Body	D	D1	D2	Z-d	D	D1	D2	Z-d						
DN1500	381	762	1730	1660	1610	36-36	1785	1700	1645	36-42	1050	1390	1000	1000	180	41
DN1600	440	790	1830	1760	1710	40-36	1915	1820	1750	40-48	1080	1630	1000	1000	180	41
DN1800	490	870	2045	1970	1918	44-39	2115	2020	1950	44-48	1215	1750	1100	1100	190	41
DN2000	540	950	2265	2180	2125	48-42	2325	2230	2150	48-48	1350	1850	1200	1200	240	43
DN2200	590	1000	2475	2390	2335	52-42	2550	2440	2370	52-55	1600	1980	1300	2200	330	43
DN2400	660	1100	2685	2600	2545	56-42	2760	2650	2570	56-55	1750	2120	1360	2400	330	45
DN2600	720	1200	2905	2810	2750	60-48	2960	2850	2780	60-55	1880	2230	1500	2600	300	45
DN2800	790	1300	3115	3020	2960	64-48	3180	3070	3000	64-55	1980	2400	1610	2800	400	48
DN3000	860	1400	3315	3220	3160	68-48	3405	3290	3210	68-60	2080	2600	1690	3000	470	48
DN3200	880		3525	3430	3370	72-48	3630	3510	3420	72-62	2300	2850	1850	3200	500	52
DN3400	950		3735	3640	3580	76-48	3850	3730	3630	76-62	2420	3000	1950	3400	500	52

Reserve the right, without notice, to alter or improve the designs of the products herein.